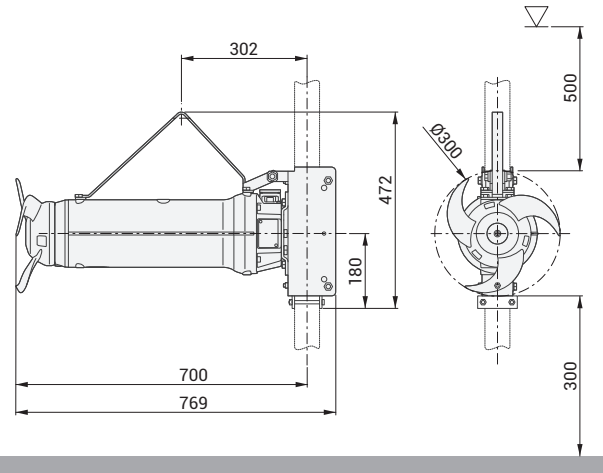




ZMD 030B A 2.2/6 AF 010



57 Kg (stand and guiding system excluded)

Product

| | |
|---------------------|-------------------------------------|
| Type | MIXER |
| Name | ZMD 030B A 2.2/6 AF 010 |
| Configured Standard | - |
| ATEX marking | CE Optional (from DECEMBER 2019) |

Motor

| | |
|-----------------------------|------------------|
| Rated Voltage | 400 V |
| Frequency | 50 Hz |
| Motor phases | 3 |
| Number of poles | 6 |
| Incoming power P2 | 2.2 kW |
| Electric power P1 | 2.6 kW |
| Rated current rpm | 5.5 A 942 rpm |
| Efficiency | 84.3% |
| Cos φ | 0.685 |
| Rated torque | 22.3 Nm |
| Start | DOL |
| Starting current | 29.6 A |
| Starting torque | 47.6 Nm |
| Degree of protection | IP 68 |
| Insulation class | H |
| Motor efficiency class ref. | IE3 |

Gear unit

| | |
|------------|---|
| Type | - |
| Gear ratio | 1 |

Propeller

| | |
|------------------|----------|
| Name | 030B |
| Rated diameter | 300 mm |
| Number of blades | 3 |
| rpm | 942 rpm |
| Pp2 | 1.62 kW |
| Propeller thrust | 500 N |
| Jet ring | Optional |

Cable

| | |
|--------|-------------|
| Type | 4G1.5 + 3x1 |
| Length | 10 m |

Monitoring

| | |
|-------------------|-------------------------------|
| Thermal protector | klixon |
| Leakage sensor | 1 in mechanical seals chamber |

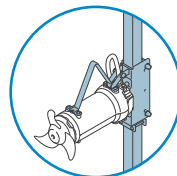
Operating limits

| | |
|------------------------------|-----------------------------|
| Ambient temperature | 0 ÷ 60°C |
| Max. density treated liquid | 1100 Kg/m ³ |
| pH treated liquid | 6-14 |
| Max. start per hour | 20 /h (equally distributed) |
| Max. acoustic pressure level | Max 70 dB (A) |
| Operating mode | S1 – Continuous use |

Construction materials

| | |
|----------------------------------|---|
| Case | Cast iron EN-GJL-250 |
| Gear box | - |
| Propeller | AISI 316 (optional AISI 329) |
| Jet ring | - |
| Shaft | AISI 431 |
| Mechanical seal (motor side) | Silicon carbide |
| Mechanical seal (propeller side) | Silicon carbide |
| Painting | Bi-epoxy 200 µm (optional 400 µm) |
| Screws | Stainless steel A2-70 (optional A4) |
| Gaskets | NBR |
| Fixing system | AISI 304 stainless steel (optional AISI 316) |

Installation



STANDARD

| | |
|----------|---------------------------------|
| standard | 60 x 60 |
| optional | 50 x 50 80 x 80 100 x 100 |